

- Complies with American National Standard Z358.1
- Galvanized Steel Pipe Protected with BradTect® Safety Yellow Coating or All Stainless Steel
- Universal Identification Sign and Inspection Tag Included
- Wall Bracket Included
- Full, One-Year Warranty
- Classified by Underwriters Laboratory Inc. to ANSI Z358.1



## Specifications

Unit design saves space and fits easily into any work environment. Eye/face wash operates quickly by a large, highly visible push handle. Safe, steady water flow under varying water supply conditions from 30–90 PSI is assured by integral flow control in the sprayhead assembly. NOTE: The ANSI Z358.1 standard requires an uninterrupted supply of flushing fluid at a minimum 30 PSI flowing pressure. Eye/face wash sprayheads contain an antimicrobial agent to protect the sprayheads.

*This plumbing fixture is not intended to dispense water for human consumption through drinking or for preparation of food or beverages.*

## Standard Equipment

### Eyewash Bowl

10¾" (273mm) diameter corrosion-resistant stainless steel.

### Standard Sprayhead Assembly

Twin ABS plastic perforated-disc eye/wash sprayheads with protective sprayhead covers. Safe, steady water flow under varying water supply conditions from 30–90 PSI is assured by integral flow control in the sprayhead assembly. S19-220DCSS is all stainless steel except for plastic sprayheads.

### Valve

Chrome-plated brass ½" NPT stay-open ball valve. Hand operated by a large, highly visible stainless steel push handle. S19-220DCSS is all stainless steel.

### Hinged Dust Cover

Stainless steel dust cover keeps contaminants, dust and debris from eye washing area.

### Pipe and Fittings

Galvanized steel protected with BradTect® safety yellow coating. S19-220DCSS is all stainless steel.

### Wall Bracket

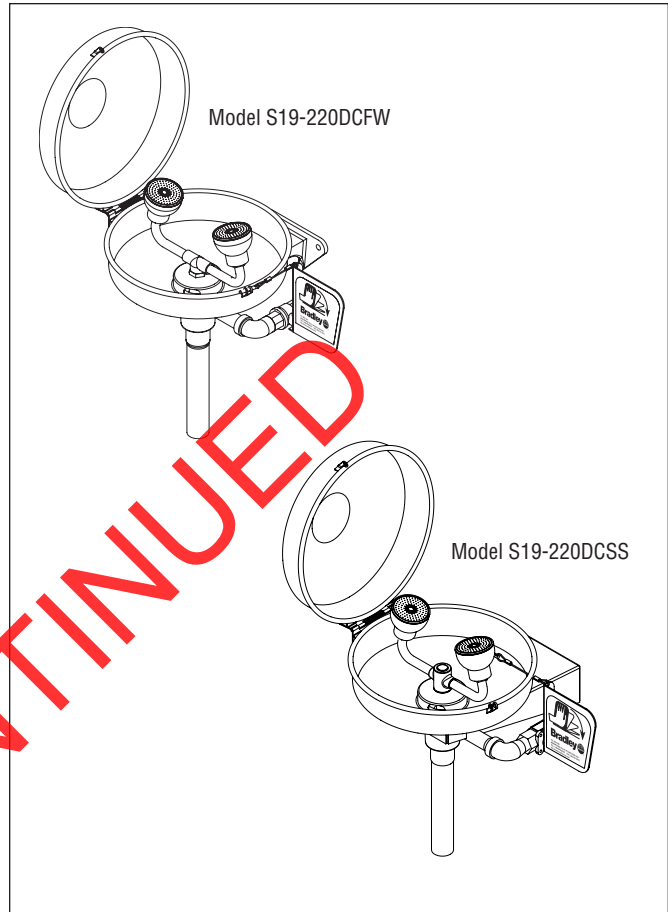
Heavy-gauge sand cast aluminum protected with BradTect® safety yellow coating. Includes three clearance holes for mounting bracket onto wall (mounting hardware not included). S19-220DCSS is all stainless steel.

### Waste

1¼" drain fitting and tailpiece furnished

### Water Supply

½" NPT.

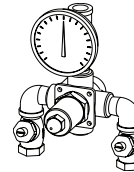


DISCONTINUED

### Recommended Option:

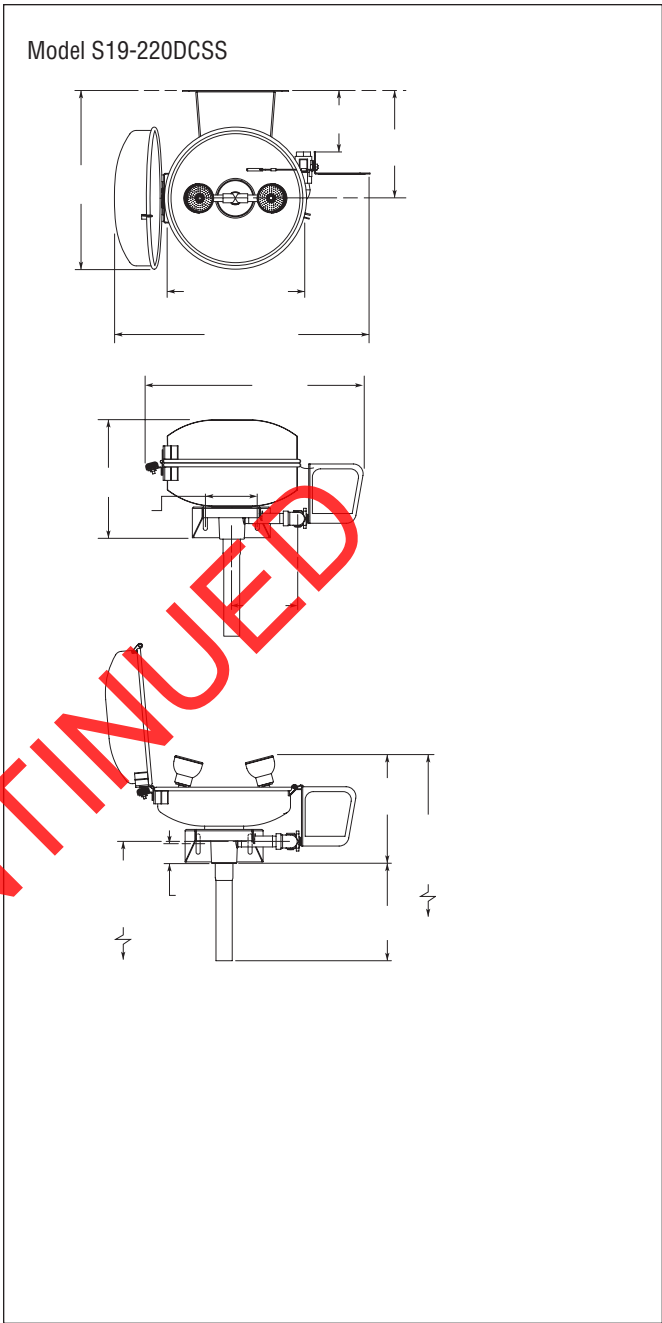
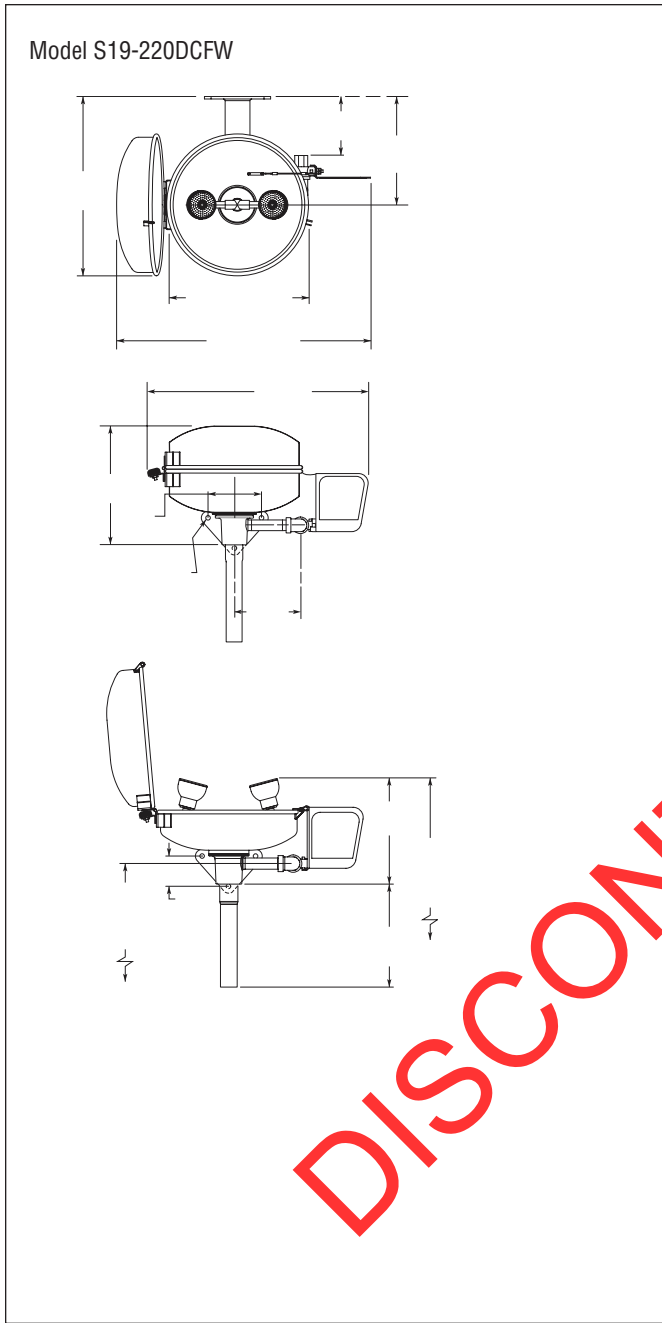
Navigator S19-2000 EFX8  
Emergency Thermostatic Mixing Valve

**NAVIGATOR**



Satisfies ANSI Z358.1  
tepid water requirements.

| Model                                | Description  |
|--------------------------------------|--|
| <input type="checkbox"/> S19-220DCFW | Wall-Mount Eye/Face Wash Unit with Hinged Dust Cover                             |
| <input type="checkbox"/> S19-220DCSS | Wall-Mount Eye/Face Wash Unit with Hinged Dust Cover, <b>All Stainless Steel</b> |
| <input type="checkbox"/> S19-2000    | Navigator EFX8 – Emergency Thermostatic Mixing Valve                             |



DISCONTINUED

- Local codes may require the installation of a backflow prevention valve to complete proper installation. Compliance with local codes is the responsibility of the installer. Valve must be tested annually to verify that it is functioning properly. Backflow prevention valves are not included with the fixture and may be supplied by the contractor or purchased from Bradley Corporation.*
- All dimensions assume standard thread engagement. Variations in manufacturing allow for +/- 1/8" (3mm) per threaded joint. To find the tolerance of a dimension, add the number of thread joints in between a dimension and multiply it by 1/8" (3mm).*